

| Type TW221

WEH® Connector for pressure and vacuum tests in straight tubes and in bores

WEH® Adapter zur Druck- und Vakuumprüfung in Glattrohren und in Bohrungen



LANGUAGES

AE	TYPE TW221	4
	WEH® Connector for pressure and vacuum tests in straight tubes and in bores	
DE	TYP TW221	34
	WEH® Adapter zur Druck- und Vakuumprüfung in Glattrohren und in Bohrungen	

The German version is the original.

Manufacturer: WEH GmbH Verbindungstechnik – hereinafter referred to as “WEH”.

Die deutsche Version ist das Original.

Hersteller: WEH GmbH Verbindungstechnik - im Nachfolgenden „WEH“ genannt.

Type TW221

WEH® Connector for pressure and vacuum tests in straight tubes and in bores

CONTENTS

1.	INTRODUCTION	6
1.1	For your guidance	6
1.2	General information	7
1.3	Warranty and liability	7
1.4	General safety instructions	8
1.5	Definition of qualified personnel	9
2.	INTENDED USE	10
3.	PRODUCT OVERVIEW / PRODUCT DESCRIPTION	11
4.	TECHNICAL DATA	13
5.	STORAGE	14
5.1	Safety instructions for proper storage	14
5.2	Storage	15
6.	REQUIRED TOOLS	15
7.	INSTALLATION	16
7.1	Safety instructions for installation	16
7.2	Installing the media line	17
7.3	Checking the connection for leak tightness	17

8. OPERATION	18
8.1 Safety instructions for operation	18
8.2 Connection	19
8.3 Disconnection	20
9. INSPECTION MAINTENANCE	21
9.1 Safety instructions for inspection and maintenance	21
9.2 Maintenance intervals	22
9.3 Overview of minimum intervals for inspection and maintenance	22
9.4 Maintenance	23
10. LUBRICATION	29
10.1 Safety instructions for lubrication	29
10.2 Lubrication	29
11. TROUBLESHOOTING	30
12. DISPOSAL	32
13. ACCESSORIES SPARE PARTS	32

The German version is the original.

Manufacturer: WEH GmbH Verbindungstechnik - hereafter referred to as 'WEH'.

1. INTRODUCTION

Dear Customer,

Thank you for deciding to use our products.

The WEH® TW221 Connector has been developed for pressure and vacuum testing in straight tubes and in bores.

Observe and follow all instructions and warnings in these operating instructions. Non-observance may result in personal injury and/or property damage.

1.1 For your guidance

The markings and symbols contained in these operating instructions have the following meanings:

- Items are indicated by a dash
- ▶ Calls for action are indicated by an arrow

Figures

The illustrations and/or images used in these operating instructions are particularly provided for illustrative purposes only and may differ in some details from the actual product. For binding information, please refer to your individual orders.

Abbreviations / Definitions

For explanation of abbreviations and definitions of terms see applicable Technical Appendix of the corresponding catalog or www.weh.com

Definition of signal words

Caution: A section marked with 'Caution' warns you about hazards that could result in a slight, usually reversible personal injury if you do not comply with this instruction.

Attention: Sections marked 'Attention' warn you of situations that could lead to property damage and disruptions in operation if you do not comply with the instruction.

Note: Sections marked 'Note' indicate that malfunctions in operation may occur if you do not comply with the instruction.

Please note: Sections marked with 'Please note' provide you with additional information for smooth operation.

1.2 General information

- ▶ First read these operating instructions to avoid misuse and resulting damage.
 - In these operating instructions you will find all the necessary information and instructions for the WEH® Product.
- ▶ Then check the contents of your delivery. Each delivery must contain:
 - a delivery note
 - an original WEH Test report (not applicable to spare parts)
 - WEH operating instructions
- ▶ If any documents are missing, please contact WEH or your responsible distributor.

1.3 Warranty and liability

- Our General Terms and Conditions apply.
- ▶ Read these operating instructions and safety instructions carefully and follow the information contained therein.
 - The information in these operating instructions reflects to the state of knowledge at the time of printing. Failure to comply may void the warranty. Any side agreements to these operating instructions require the written approval of the Head of the Quality Department at WEH.
 - Violation of these operating instructions result in the lapse of all warranty claims. WEH will accept no liability for consequential damage, in particular damage due to personal injury and/or other legal interests.

Caution: WEH® Products may only be repaired by WEH.

- ▶ Contact WEH or the responsible distributor if the WEH® Product requires maintenance. Special maintenance work that may be performed by the operator is described in these operating instructions and is specially marked.
- ▶ Only use original WEH® Spare parts. These are exactly suited to the WEH® Product and subject to strict quality controls.
 - You are responsible for the correct operation of the replacement or repair. WEH is not responsible for the performance or any damage and/or losses arising from it. WEH assumes no guarantee, warranty, product liability or other liability for any replacement or repair of the WEH® Product performed by you or a third party. If you or a third party does not have the necessary skills and qualification for proper performance, you must refrain from performing replacement or repair. Otherwise, there is a particular risk of endangering yourself and third parties.

1.4 General safety instructions

- ▶ Always comply with all applicable local, national and international requirements, stipulations, decrees, laws, standards, provisions, directives, norms, regulations, prohibitions and instructions as well as all applicable industrial, quality and technical standards. In particular, make sure that you and all users comply with the applicable requirements related to occupational health and safety as well as product safety requirements and that all required permissions, certificates and approvals have been obtained.
- ▶ These operating instructions should be provided to anyone responsible for the installation, operation and maintenance of this WEH® Product.
Caution: Incorrect application poses a risk to the user's health and can cause property damages. The consequences of incorrect application could include the following:
 - the connector or parts of the connector become loose under pressure
 - media that may be under pressure, hot or toxic, can escape
 - connection hoses vibrate dangerously
- The WEH® Product and these operating instructions are intended for use by qualified personnel (see *Chapter 1.5*). Make these operating instructions available in particular to the qualified personnel responsible for the individual phases of the life cycle (especially for storage, installation, operation, inspection and maintenance, troubleshooting and disposal) of the WEH® Product. The qualified personnel must have read and understood these operating instructions.
- ▶ Contact WEH before using the WEH® Product if the instructions in these operating instructions are unclear in any way.
- ▶ Take appropriate safety measures if operating conditions exist that could endanger the user.
- ▶ In case of any damage that may affect the proper functioning of the WEH® Product, do not use the WEH® Product until the situation has been clarified. Disassembly of the WEH® Product may only be performed by WEH.
- ▶ Comply with the assembly data indicated in these operating instructions. Tightening with higher torques/assembly turns can result in damage or even fractures when the system is pressurized.
- ▶ Do not use any auxiliary materials or cleaning agents other than those indicated in these operating instructions. Using other auxiliary materials or cleaning agents may cause damage to the WEH® Product or to downstream components.
- WEH is not responsible for damage caused by external forces or other external influences.
- It is assumed that only transport and storage facilities suitable for the storage of the WEH® Product are used.

- ▶ Do not apply any external forces to the WEH® Product. Therefore, do not lean on the (connected) WEH® Product, do not hang on the WEH® Product and do not climb on the WEH® Product under any circumstances. In addition, refrain from hammering on the WEH® Product or similar. Such force effects can lead to damage to property and personal injury. Also ensure that the WEH® Product is protected from being stepped on or run over in any way.
- The WEH® Product can become very hot or very cold due to the possible fluids flowing through it, depending on the application and operating situation. In this regard, observe the national and international regulations on occupational health and safety to prevent injuries.

1.5 Definition of qualified personnel

- Qualified personnel, as defined by these instructions, are persons who, based on their professional training, their knowledge (including the relevant standards and regulations), experience and manual skills, can independently assess and properly perform assigned work tasks (in conjunction with WEH® Products) and can thus independently recognize and prevent potential dangers at an early stage.

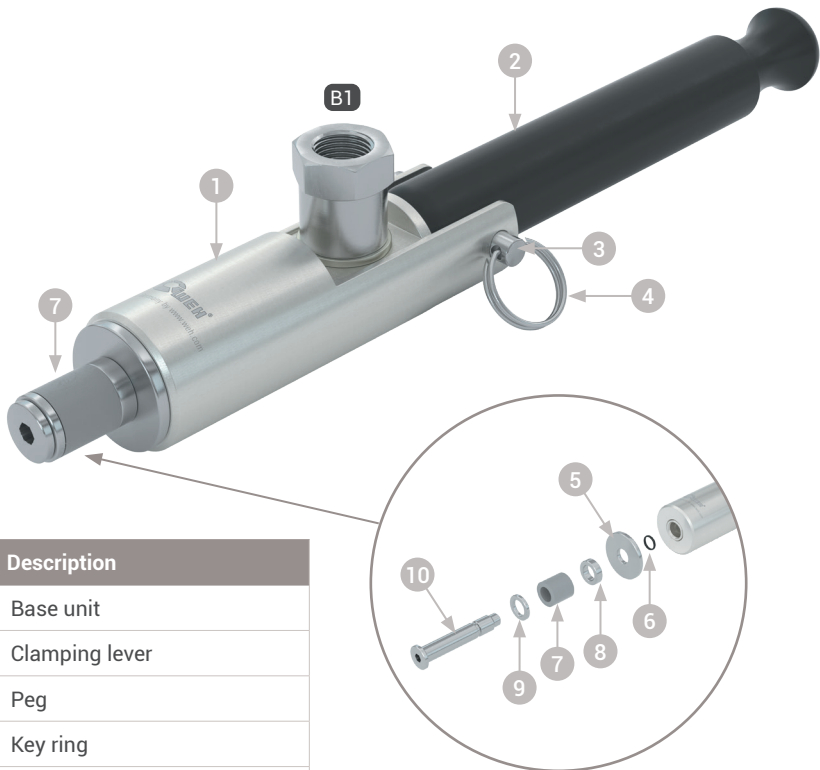
2. INTENDED USE

- The WEH® TW221 Connector has been developed for pressure and vacuum testing in straight tubes and in bores. The connector comes in many different sizes and forms.
- ▶ Only use the WEH® Product if you fulfill the following specifications:
 - The required roundness of the internal tube diameter is max. 0.25 mm
Contact WEH if the application lies outside the specified values or if you have any questions regarding the surface finish.
 - The test piece and the seals must be dry during testing. If they are not dry, a pressure-tight connection can not be made and the connector will not hold in the test piece.
- ▶ Always ensure that the WEH® Product is used only within the range of its intended use. Please note in particular the technical data of the WEH® Product in *Chapter 4* as well as the marking on the WEH® Product itself.
- If you have ordered a customized adaptation from us, the WEH® Connector has been specially adapted to the requirements and applications on which you have based your order. The underlying requirements and applications are only considered confirmed if they have been expressly agreed to in writing by WEH. The connector may not be used for applications and requirements other than those confirmed in writing by WEH.
- This WEH® Product is generally classified as pressure accessory in accordance with Article 2 (5) of the Pressure Equipment Directive 2014/68/EU and is considered to be similar to piping. This WEH® Product may not be used as safety accessory. Furthermore, it is pointed out, that this WEH® Product is designed and placed on the market in accordance with the requirements of Article 4 (3) of the Pressure Equipment Directive 2014/68/EU. The assessment with regard to a different classification can, however, be made on request.

Caution: Any use beyond the scope of application is considered as unintended use and may result in personal injury and/or property damage.

3. PRODUCT OVERVIEW / PRODUCT DESCRIPTION

WEH® TW221 Connector body size 1 & body size 2



Pos.	Description
1	Base unit
2	Clamping lever
3	Peg
4	Key ring
5	Spacer*
6	O-ring (shaft)
7	Front seal**
8	Disc
9	Disc
10	Shaft

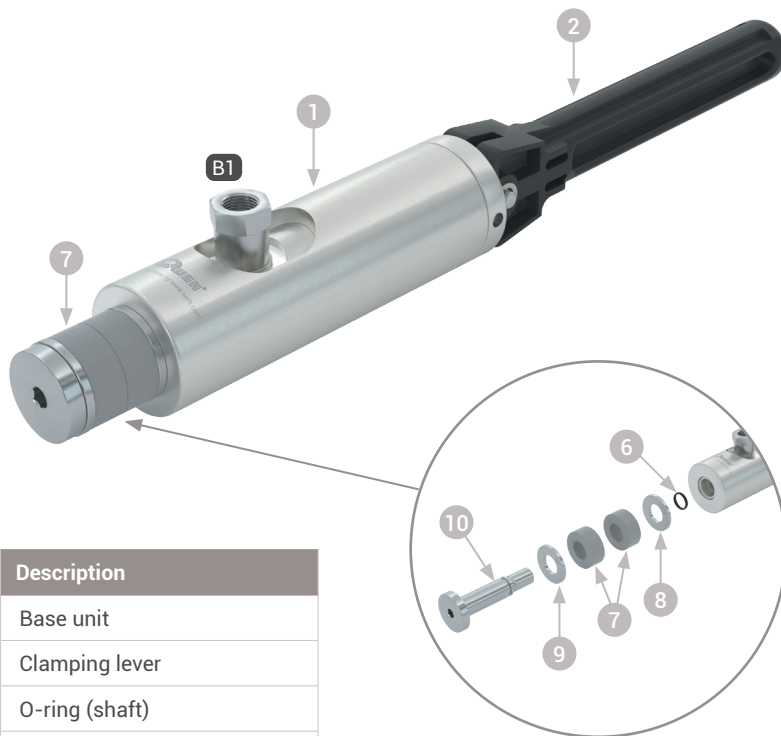
* only for body size 1

** from body size 2 with 2 front seals

Definition of ports

B1 Media inlet

WEH® TW221 Connector body size 3



Pos.	Description
1	Base unit
2	Clamping lever
6	O-ring (shaft)
7	Front seal
8	Disc
9	Disc
10	Shaft

Definition of ports	
B1	Media inlet

4. TECHNICAL DATA

Please note: Depending on the application, the technical data of your WEH® Product may differ from these operating instructions. Please therefore observe the marking on the WEH® Product itself.

Characteristics	Basic version
Nominal bore (DN)	8.6 mm
Max. allowable operating pressure PS	1 - 3 bar
Temperature range	+5 °C to +80 °C
Leak rate	1 x 10 ⁻³ mbar x l/s
Part materials	Corrosion-resistant stainless steel, anodised aluminium
Sealing materials	Front seal in SBR
Actuation	Manual actuation via clamping lever

5. STORAGE

5.1 Safety instructions for proper storage

- ▶ Make sure that you always comply with these following safety instructions and storage time.
Attention: Improper storage of the WEH® Product can significantly reduce the maximum service life.
- ▶ Protect the WEH® Product against damage, contamination, inappropriate storage and excessive temperature fluctuations.
- ▶ Store the WEH® Product, the accessories and spare parts in the original packaging until they are used for the first time and during periods when they are not being used.
- ▶ Store the WEH® Product within a temperature range of -40 °C up to +40 °C. Storage temperatures outside this range may affect the service life of the WEH® Product.
- ▶ Do not store the WEH® Product in the vicinity of heat sources. Avoid humidity and condensation. The ideal relative air humidity for storage is approx. 65%.
- ▶ Do not store the WEH® Product together in the same space with solvents, chemicals, acids, fuels or disinfectants.
- ▶ Protect the WEH® Product against light, in particular direct sunlight, oxygen, ozone, heat, UV radiation, and other negative environmental influences. The service life of parts made of elastomer or plastic may be substantially reduced by such environmental factors.
- ▶ Do not stack WEH® Products. For storage and retrieval, follow the first-in-first-out (FIFO) principle.

5.2 Storage

- ▶ Follow the safety instructions in *Chapter 5.1* and observe the following storage times. The appropriate storage period applies from the date of delivery (i.e. the date of invoicing or goods issue date as recorded by WEH or its distributor). If the WEH® Product is installed in a complete system, the storage time depends on the component with the shortest storage time.

Up to 3 years	<ul style="list-style-type: none"> ▶ Before use, check the surfaces of the external seals for cracks. Attention: Any elastomer seals with fine cracks on the surface must be replaced. Note: If you should have any doubts about the aging state of the stored WEH® Product, please contact WEH. Attention: Before commissioning, check the WEH® Product for leak tightness. On this topic, see <i>Chapter 7. Installation on page 16.</i>
> 3 years	<ul style="list-style-type: none"> - Before use, all elastomer seals must be replaced. ▶ For this, send the WEH® Product to WEH for maintenance.

- ▶ Store the WEH® Connector with the clamping lever released. The clamping lever must not be actuated. The service life of the seals will be shortened if the seal is left in the clamped position for a long time without a test piece.

6. REQUIRED TOOLS

Part no.	Description	Installation	Maintenance & Lubrication
--	Suitable open-ended wrench (suitable for the relevant wrench size)	X	
--	Calibrated torque wrench (suitable for the corresponding torque)	X	
--	Suitable hexagonal screwdriver (suitable for the corresponding Allen key)		X
W136538	WEH® O-ring picker set*		X
E99-44923	WEH® Maintenance spray		X
E99-21	WEH® Threadlocking adhesive		X

* The WEH® O-ring picker is manufactured from plastic and has to be considered as a consumable product.

7. INSTALLATION

7.1 Safety instructions for installation

- ▶ Check the information provided in these operating instructions and the label on the WEH® Product. The information must conform to your application.
- ▶ Only connect the WEH® Product to faultless connections.
- ▶ Check the WEH® Product for transport damages, contamination and other damage. If you should detect anything wrong with the WEH® Product, it may no longer be used. Replace the WEH® Product or send it to WEH for maintenance.
- ▶ Remove transport securing devices (such as protection caps) before installing the WEH® Product. Transport securing devices serve the purpose of protecting the product and connection ports during transport and storage. The transport securing devices are not, for example, designed to withstand pressure or to be used as plugs.
- ▶ Ensure that the system is depressurized. Installation must only be effected in depressurized condition.
- ▶ Avoid using excessively short media lines and narrow bending radii. Lateral forces may cause leakages or damage to components and make it more difficult to attach the WEH® Connector properly.
- ▶ Use arrestor cables, partitions, etc. for additional safety where being used for hazardous applications or under hazardous conditions.
- ▶ USIT rings should be used to seal the ports.
- ▶ Before installation, check if the counterparts are designed to withstand the assembly data (see *Chapter 7.2 Installing the media line*) that WEH determined for this WEH® Product.

Note: The indicated assembly data (tightening torques, assembly turns etc.) are values that apply only to the components delivered by WEH.

7.2 Installing the media line

Please note: Subsequent mentions of descriptions and position numbers refer to *Chapter 3. Product overview / product description on page 11.*

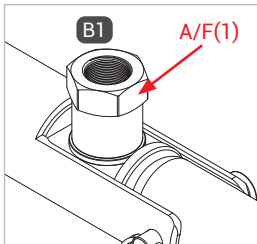


Figure 1

- ▶ Unscrew the protection cap from the port.
- ▶ When mounting media hose line, hold an open-ended wrench against the wrench size AF(1) (*Figure 1*).
- ▶ Screw the 'B1' media inlet pressure-tight to the port for the media line (*Figure 1*).
Tightening torque: 10 Nm ± 10% (G1/8" female thread).

7.3 Checking the connection for leak tightness

- ▶ Connect the connector to a closed test piece.
- ▶ Slowly apply the operating pressure to the connector and media line.
Caution: The test piece must be closed.
- ▶ Check the connector, the connection to the media line and the connection to the test piece for leak tightness.
Attention: Do not use a leak detection spray that contains ammonia, since this could cause corrosion of the connector.

8. OPERATION

8.1 Safety instructions for operation

Please note: Subsequent mentions of descriptions and position numbers refer to *Chapter 3. Product overview / product description on page 11*.

- ▶ Apply pressure to the WEH® Connector only once it has been connected to a test piece.
- ▶ Do not use excessive force when actuating.
- ▶ Follow the steps in **exactly** the right order when connecting and disconnecting the WEH® Connector.
- ▶ Attach and detach the WEH® Connector only when it is not under pressure.
- ▶ Connect the WEH® Connector only to test pieces in full working order.
- ▶ Align the WEH® Connector correctly with the test piece to prevent damage to the front seal caused by any sharp edges that the test piece may have.
- ▶ Do not actuate the WEH® Connector without a test piece. The seals can be damaged without the test piece connected.
- ▶ Once the connection has been made, always test the connection by tugging a little on the WEH® Connector to make sure that it is fully engaged and that the seals are gripping correctly before introducing the pressurized test medium.
- ▶ The WEH® Connector is designed in such a way that it tightens and seals directly when connected to the test piece. Keep fingers and other objects away from the seals when actuating the connector.
Caution: Possible consequences of non-compliance are:
 - Risk of fingers being crushed when connecting
 - Risk to human safety and risk of damage to property by parts detaching at high pressure
 - Risk to human health by media being released at high pressure
 - Risk to human safety by hoses not being secured
- ▶ The WEH® Connector is not fitted with an integrated shut-off valve and thus will not prevent loss of test medium when disconnecting. Therefore it is important to disconnect the connector only under absolutely safe conditions.
- ▶ Please observe the actuation direction of the clamping lever (Pos. 2) for body size 1 and 2. In the standard arrangement, the clamping lever is actuated downwards and the 'B1' media inlet faces upwards. It is possible to convert the clamping lever for upwards actuation to suit the application. Please refer to *Chapter 9.4.2 Conversion of the clamping lever (Pos. 2) on page 27*.

- ▶ Make sure that the test piece and the seals are dry during testing. If they are not dry, a pressure-tight connection can not be made and the connector will not hold in the test piece.

8.2 Connection

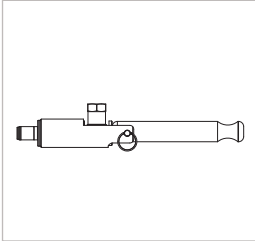


Figure 2

- ▶ Move the clamping lever (Pos. 2) to the straight starting position (*Figure 2*).

- ▶ Grip the connector by its base unit (Pos. 1) and plug it up to the stop straight into the test piece (*Figure 3*). Doing so will prevent any damage to the front seal caused by any sharp edges on the test piece and ensure a correct connection.

Attention: Insert the connector carefully and not with force into the test piece.

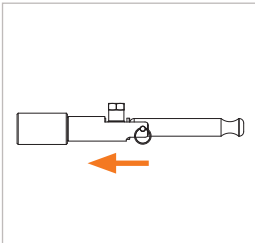


Figure 3

- ▶ Actuate the clamping lever (Pos. 2) by 90° downwards (*Figure 4*). The connector tightens itself to the test piece and creates a pressure-tight connection.

Attention: Make sure that the seals on the test piece grip correctly, that the connector is seated properly (it must not wobble) and that the pressure-tight connection has been made. Only then is the connector connected correctly. Otherwise the connector may spring out of place and medium may escape.

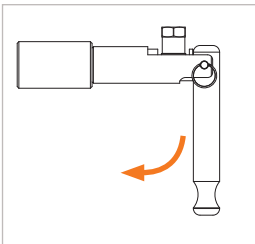


Figure 4

- ▶ Pull lightly on the connector (red arrow *Figure 5*) in the direction opposite that of the connection to make sure that the connector is firmly in place.

- The connector is now connected pressure-tight to the test piece.

- ▶ To start the testing procedure, apply pressure to media inlet 'B1'.

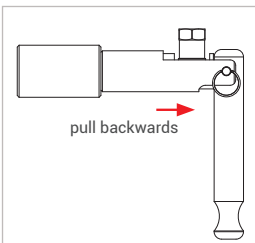


Figure 5

8.3 Disconnection

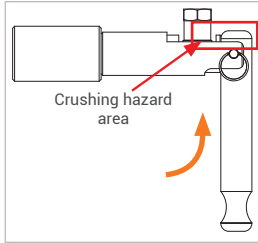


Figure 6

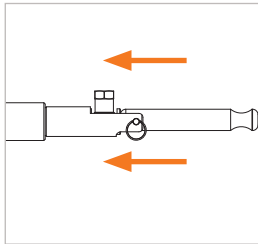


Figure 7

- ▶ After the end of the testing procedure, fully vent the media line.

Caution: First depressurize the system before releasing the connection. The integrated safety system will not let you open the pressure-aided seals when the system is pressurized.

- ▶ Grip the connector by its base unit (Pos. 1).

Caution: Keep your fingers away from the piston (Figure 6). You can crush or squeeze your fingers when actuating the clamping lever (Pos. 2).

- ▶ Actuate the clamping lever (Pos. 2) by 90° back to its initial position (Figure 6).

- ▶ Move the connector slightly in the direction of the test piece (Figure 7). The connection to the test piece is released and the connector can be removed by pulling it straight back.

Attention: In the event that you cannot remove the connector from the test piece:

- Wait a few moments
- Never use excessive force
- Do not use any tools (e.g. hammer)
- Make sure that the connector is depressurized

9. INSPECTION | MAINTENANCE

Please note: Subsequent mentions of descriptions and position numbers refer to *Chapter 3. Product overview / product description on page 11*.

Attention: If damage to the WEH® Product or restrictions to its functionality are detected, measures as set out in *Chapter 11. Troubleshooting on page 30* must be taken. Damaged or leaking WEH® Products must be sent to WEH for maintenance.

9.1 Safety instructions for inspection and maintenance

- The WEH® Product must be depressurized and dismantled for maintenance work.
- ▶ Check the WEH® Product for leakage after maintenance work. Please refer to *Chapter 7. Installation on page 16*.
- For inspection purposes, it is not necessary for the WEH® Product to be dismantled, but it must be depressurized.
- ▶ Only use original WEH® Spare parts. These are exactly suited to the intended application and subject to strict quality controls.
- ▶ Do not damage sealing surfaces or sealing components.
- ▶ Before reassembling; check the components, threads and, if present, the sealing surfaces for damage and contamination. Should you find any damage, replace the WEH® Product or send it to WEH for maintenance. Stop using the WEH® Product immediately.
- ▶ Assemble the WEH® Spare parts absolutely free of oil, grease and dust.
- ▶ Before each reassembly, clean the WEH® Product and the corresponding components by blowing off with oil-free compressed air and remove any adhering dirt using a damp, soft and lint-free cloth.
Do not use solvents. Use only clean water as cleaning agent.
Attention: Only use oil-free compressed air to blow off the dirt.
Note: Make sure that no cleaning agent enters the gas channel.
- ▶ Before using the adhesive or the WEH® Threadlocking adhesive, always degrease the threads/surfaces to be glued with the WEH® Degreasing spray part no. E99-9.
- ▶ When using the adhesive or the WEH® Threadlocking adhesive, the guidelines of the manufacturer have to be observed, e.g. the curing time of 24 hours.
- ▶ Make sure that no sealing surfaces or sealing components get in contact with the adhesive or the WEH® Threadlocking adhesive.
- ▶ Observe the specified tightening torques and bondings during maintenance.

9.2 Maintenance intervals

- ▶ Inspect the WEH® Product at regular intervals depending on the respective operating conditions, but at least every 3 months. After 20,000 cycles or 3 years at the latest, depending on what happens first, starting from the date of delivery (invoice/ goods issue date by WEH or the distributor), the WEH® Product must be sent to WEH for maintenance.

These intervals can also be significantly shorter, which depends especially on your individual application/use. Therefore, in case of abnormalities – especially during regular inspection – send the WEH® Product immediately to WEH for maintenance. If the WEH® Product is not regularly inspected and sent to WEH for maintenance, leakage may occur and under certain circumstances this may result in failures and/or accidents.

9.3 Overview of minimum intervals for inspection and maintenance

No.	Inspection	Initial (before commissioning for the 1st time)	Daily	Weekly
1	Check front seal for damage and dirt accumulation	X	X	
2	Check exterior for damage and dirt	X		X
3	Check clamping lever for damage and ease of movement	X		X
4	Check connector and media line for leakage (see <i>Chapter 7. Installation</i>)	X		X
No.	Maintenance	After every 1,000 cycles	Monthly	After 3 years or 20,000 cycles*
5	Replace the front seal (see <i>Chapter 9.4.1 Replacement of front seal (pos. 7)</i>)	X		
6	Lubricate the connector (see <i>Chapter 10. Lubrication</i>)		X	
7	Return to WEH for in-factory maintenance			X

* depending on what happens first

Note: Component arrangement see *Chapter 3. Product overview / product description on page 11.*

- ▶ If your application requires, set shorter intervals than indicated above. A significant shortening of the minimum intervals is particularly necessary if abnormalities are found during the inspections.

9.4 Maintenance

Please note: Subsequent mentions of descriptions and position numbers refer to *Chapter 3. Product overview / product description on page 11*.

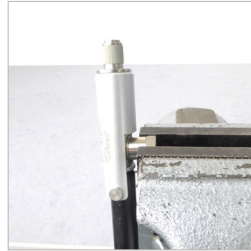
- ▶ If you detect any leaks or malfunction, replace the WEH® Product or send it to WEH for maintenance. Stop using the product immediately.

The following maintenance work may be carried out by the operator:

- ▶ Check the WEH® Product for leak tightness and correct functioning – ease of movement, sufficient lubrication, wear, contamination and damage.
- ▶ Check the surface of the front seal (pos. 7). If any tears, cracks or damage are visible on the front seal, replace it. Please refer to *Chapter 9.4.1 Replacement of front seal (pos. 7) on page 24*.
- ▶ Check the clamping lever (Pos. 2) regularly for ease of movement and sufficient lubrication. If the WEH® Product is sluggish, lubricate the connector. Please refer to *Chapter 10. Lubrication on page 29*.

9.4.1 Replacement of front seal (pos. 7)

- ▶ Move the clamping lever (Pos. 2) to the straight starting position. The front seal (Pos. 7) must be relaxed.
- ▶ Tighten the connector on the media line at the wrench flat A/F1 in a vice with aluminum jaws.



- ▶ Unscrew the shaft (Pos. 10) from the base unit (Pos. 1) using a suitable hexagonal screwdriver.



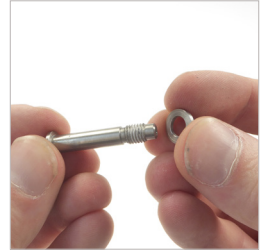
- ▶ Remove the O-ring (Pos. 6) from the recess of the shaft (Pos. 10) using the WEH® O-ring picker.



- ▶ If present, remove the spacer (Pos. 5) and the disc (Pos. 8) from the shaft.



- ▶ Remove the front seal(s) (Pos. 7) and the disc (Pos. 9) from the shaft.



- ▶ Remove the adhesive residue from the shaft (Pos. 10).
Attention: The recess of the shaft, in which the O-ring (Pos. 6) is located, must not be damaged.



- ▶ Blow off the shaft with compressed air until there is no more residue on the shaft.
- ▶ Then clean the shaft with the WEH® Degreasing spray.



- ▶ Push the disc (Pos. 9) and the new front seal(s) (Pos. 7) onto the cleaned shaft.



- ▶ Push the disc (Pos. 8), and if present, the spacer (Pos. 5) back onto the shaft (Pos. 10).



- ▶ Roll the new O-ring (Pos. 6) into the recess of the shaft (Pos. 10).
Attention: Make sure that the O-ring is not twisted in the recess.



- ▶ Apply a small drop of the WEH® Threadlocking adhesive to the cleaned and degreased thread of the shaft (Pos. 10).



- ▶ Screw the shaft (Pos. 10) back into the base unit (Pos. 1) so that the outer diameter of the front seal(s) (Pos. 7) is approx. 0.5 mm smaller than the clamping hole in your test piece.

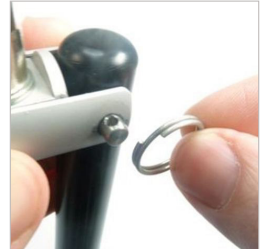


- ▶ Connect the WEH® Connector to a test piece a number of times. Visually check the connector for proper clamping and sealing function and that the seals are properly clamped.
Attention: During the next pressure test, apply the test pressure to the connector and media line only gradually.

9.4.2 Conversion of the clamping lever (Pos. 2)

- ▶ Connect the WEH® Connector to a test piece. Please refer to *Chapter 8. Operation on page 18.*

- ▶ Bend the key ring (Pos. 4) slightly apart and twist it out of the bore of the peg (Pos. 3).



- ▶ Push the peg (Pos. 3) out of the base unit (Pos. 1) and out of the clamping lever (Pos. 2).



- ▶ Remove the clamping lever (Pos. 2) from the base unit (Pos. 1).



- ▶ Turn it upwards by 180°.



- ▶ Insert the clamping lever (Pos. 2) into the base unit (Pos. 1) again.



- ▶ The bore of the base unit has to align with the bore of the clamping lever.



- ▶ Put the peg (Pos. 3) back into the bore of the base unit (Pos. 1) and the clamping lever (Pos. 2).



- ▶ Bend the key ring (Pos. 4) slightly apart and twist it into the bore of the peg (Pos. 3).



- ▶ Disconnect the WEH® Connector from the test piece again. Please refer to *Chapter 8. Operation on page 18.*
- ▶ Connect the WEH® Connector to a test piece a number of times. Visually check the connector for proper clamping and sealing function and that the seals are properly clamped.
Attention: During the next pressure test, apply the test pressure to the connector and media line only gradually.

10. LUBRICATION

Please note: Subsequent mentions of descriptions and position numbers refer to *Chapter 3. Product overview / product description on page 11.*

10.1 Safety instructions for lubrication

- ▶ Take care not to damage sealing surfaces or sealing components when lubricating.
- ▶ Only use WEH® Maintenance spray part no. E99-44923 for lubrication.
- ▶ Connect the WEH® Connector to a test piece before you lubricate the connector. Please refer to *Chapter 8. Operation on page 18.*

10.2 Lubrication



Figure 8

- ▶ Give a short spray with the target tube between the housing and the piston on the connector top (*Figure 8*).
- ▶ Give a short spray with the target tube between the housing and the piston on the connector bottom (*Figure 9*).

Attention: The lubricant must not be allowed to enter the gas channel.



Figure 9

11. TROUBLESHOOTING

No.	Fault	Can be recognized by	Possible cause	Remedial measures
1	Gas leak during testing, decreasing with increasing pressure	Sounds of escaping gas	Incorrect connection	Stop the testing operation, reconnect the connector
			Inlet too rigid	Fit a flexible hose, for example
1	Gas leakage when pressure increases	Sounds of escaping gas	Incorrect connection	Stop the testing operation, reconnect the connector
			Faulty front seal	Stop the testing operation Replace the front seal, see <i>Chapter 9.4.1</i>
			Test piece damaged	Decide whether to interrupt or continue the filling operation Replace test piece
2	The clamping lever is either seriously damaged or broken		Excessive mechanical stress due to inappropriate handling	Return the connector to WEH for maintenance
3	Leakage on connector	Sounds of escaping gas	Defective sealing components	Send the connector to WEH for maintenance.
	Leakage in media inlet		Fittings are leaky	Tighten up fittings, see <i>Chapter 7. Installation</i>
4	Seals are not spread sufficiently	Connector is seated too loosely, it sits unsteadily in the test piece	Wear	First check the test piece. If this is defective, replace the test piece. If it is in good condition, send the connector to WEH for maintenance
			Connector is not correctly connected	Repeat the connecting procedure

No.	Fault	Can be recognized by	Possible cause	Remedial measures
5	Connector wobbles despite a correct connection to the test piece	Incorrect connection geometry at test piece	<p>Wear on geometry of the test piece's connection parts</p> <p>Wear on the connector's front seals</p>	<p>Replace test piece</p> <p>Replace the front seal, see <i>Chapter 9.4.1</i></p>
6	Front seals deformed	The connector can not be plugged into the test piece	Excessive mechanical stress due to inappropriate handling	Replace the front seal, see <i>Chapter 9.4.1</i>
7	The clamping lever can no longer be actuated		<p>Connector is not correctly connected</p> <p>Damaged components</p> <p>Inadequate lubrication</p>	<p>Repeat the connecting procedure</p> <p>Return the connector to WEH for maintenance</p> <p>Lubricate the connector, see <i>Chapter 10. Lubrication</i>.</p>
8	Connector can no longer be adapted into the bore after the seal replacement		The shaft was screwed in too far after the seals were replaced; the seals are already preloaded without actuation	Tighten up shaft, see <i>Chapter 9.4.1 Replacement of front seal (pos. 7) on page 24</i>

If you should encounter any other problems, please contact WEH or your responsible distributor.

12. DISPOSAL

- ▶ Dispose of the WEH® Product appropriately when you no longer need it. Observe the national and local disposal regulations valid at the time of disposal.

13. ACCESSORIES | SPARE PARTS

Screw plug for plug version

If the WEH® Connector is used as a plug, the 'B1' port must be closed with a brass screw plug. The operator must check that the seal is compatible with the media.

Part No.	Description	Connection (male thread)	Pressure range
E69-9200	Screw plug low pressure	G1/8"	0 - 50 bar

Spare parts

The following parts are available for maintenance of the WEH® Product:

Part No.	Position	Description
On request	Pos. 7	Replacement seal set consisting of: 5 front seals and 5 O-rings for body size 1 or 10 front seals and 5 O-rings for body size 2 and 3

When ordering, please indicate the part no. marked on the WEH® Product.

Please note: For the correct use of WEH® Spare parts, please refer to *Chapter 9. Inspection / Maintenance on page 21.*

Typ TW221

WEH® Adapter zur Druck- und Vakuumprüfung in Glattrohren und in Bohrungen

INHALT

1. EINLEITUNG	36
1.1 Zu Ihrer Orientierung	36
1.2 Allgemeine Angaben	37
1.3 Gewährleistung und Haftung	37
1.4 Allgemeine Sicherheitshinweise	38
1.5 Definition von Fachpersonal	39
2. BESTIMMUNGSGEMÄSSE VERWENDUNG	40
3. PRODUKTÜBERSICHT / PRODUKTBESCHREIBUNG	41
4. TECHNISCHE DATEN	43
5. LAGERN	44
5.1 Sicherheitshinweise zum sachgerechten Lagern	44
5.2 Lagern	45
6. BENÖTIGTE HILFSMITTEL	45
7. INSTALLIEREN	46
7.1 Sicherheitshinweise zum Installieren	46
7.2 Medienleitung installieren	47
7.3 Dichtheit der Verbindung prüfen	47

8. BEDIENEN	48
8.1 Sicherheitshinweise zum Bedienen	48
8.2 Anschließen	49
8.3 Abschließen	50
9. INSPIZIEREN WARTEN	51
9.1 Sicherheitshinweise zum Inspizieren und Warten	51
9.2 Wartungsintervalle	52
9.3 Übersicht Mindestintervalle für Inspektion und Wartung	53
9.4 Warten	54
10. SCHMIEREN	60
10.1 Sicherheitshinweise zum Schmieren	60
10.2 Schmieren	60
11. FEHLERBEHEBEN	61
12. ENTSORGEN	63
13. ZUBEHÖR ERSATZTEILE	63

Die deutsche Version ist das Original.

Hersteller: WEH GmbH Verbindungstechnik - im Nachfolgenden „WEH“ genannt.

1. EINLEITUNG

Sehr geehrter Kunde,

Wir freuen uns, dass Sie sich für den Einsatz unseres Produktes entschieden haben. Der WEH® Adapter TW221 wurde zur Druck- und Vakuumpfung in Glattrohren und in Bohrungen entwickelt.

Beachten und befolgen Sie sämtliche Hinweise und Warnungen in dieser Betriebsanleitung. Eine Nichteinhaltung kann zu Personen- und/oder Sachschäden führen.

1.1 Zu Ihrer Orientierung

Die in dieser Betriebsanleitung verwendeten Kennzeichen und Symbole haben folgende Bedeutung:

- Aufzählungen sind durch einen Strich gekennzeichnet
- ▶ Handlungsaufforderungen sind durch einen Pfeil gekennzeichnet

Abbildungen

Die in dieser Betriebsanleitung verwendeten Abbildungen dienen nur zur Veranschaulichung und können in einigen Einzelheiten vom tatsächlichen Produkt abweichen. Verbindliche Angaben entnehmen Sie bitte den jeweiligen Einzelaufträgen.

Abkürzungen / Begriffsdefinitionen

Erläuterung der Abkürzungen sowie Begriffsdefinitionen finden Sie im mitgeltenden Technischen Anhang des entsprechenden Katalogs oder unter www.weh.com

Definition von Signalwörtern

Vorsicht: Eine mit „Vorsicht“ gekennzeichnete Passage warnt Sie vor Gefahren, die zu einer leichten, in der Regel reversiblen Verletzung von Personen führen kann, falls Sie diesen Hinweis nicht beachten.

Achtung: Eine mit „Achtung“ gekennzeichnete Passage warnt Sie vor Situationen, die zu Sachschäden und Störungen im Betriebsablauf führen können, falls Sie diesen Hinweis nicht beachten.

Hinweis: Eine mit „Hinweis“ gekennzeichnete Passage weist Sie auf darauf hin, dass es zu Störungen im Betriebsablauf kommen kann, falls Sie diesen Hinweis nicht beachten.

Bitte beachten: Eine mit „Bitte beachten“ gekennzeichnete Passage gibt Ihnen zusätzliche Hinweise für einen reibungslosen Betriebsablauf.

1.2 Allgemeine Angaben

- ▶ Lesen Sie zuerst diese Betriebsanleitung, um Fehlanwendung und dadurch bedingte Schäden zu vermeiden!
- In dieser Betriebsanleitung erhalten Sie alle notwendigen Informationen und Anleitungen zum WEH® Produkt.
- ▶ Überprüfen Sie anschließend Ihre Lieferung. Jeder Lieferung muss beiliegen:
 - ein Lieferschein
 - ein Original WEH Prüfprotokoll (nicht bei Ersatzteilen)
 - eine WEH Betriebsanleitung
- ▶ Wenden Sie sich umgehend an WEH oder den entsprechenden Vertriebspartner, falls Ihnen Unterlagen fehlen.

1.3 Gewährleistung und Haftung

- Es gelten unsere allgemeinen Geschäftsbedingungen.
- ▶ Lesen Sie die Betriebsanleitung und die Sicherheitshinweise sorgfältig durch und beachten Sie die darin gemachten Angaben.
- Die Angaben dieser Betriebsanleitung entsprechen den zum Zeitpunkt der Drucklegung vorhandenen Kenntnissen. Eine Nichtbefolgung führt zum Verlust der Gewährleistung. Sämtliche andere Vereinbarungen bedürfen der schriftlichen Zustimmung der Leitung der Abteilung Qualität bei WEH.
- Bei Verstoß gegen diese Betriebsanleitung erlöschen sämtliche Gewährleistungsansprüche. WEH übernimmt ferner keinerlei Haftung für Mangelfolgeschäden, insbesondere Schäden an anderen Rechtsgütern und/oder Personenschäden.

Vorsicht: WEH® Produkte dürfen nur von WEH instand gesetzt werden.

- ▶ Kontaktieren Sie WEH oder den zuständigen Vertriebspartner, falls das WEH® Produkt gewartet werden muss. Spezielle Wartungsarbeiten, die der Betreiber selbst durchführen darf, sind in dieser Betriebsanleitung beschrieben und speziell gekennzeichnet.
- ▶ Verwenden Sie nur Original WEH® Ersatzteile. Diese sind auf das WEH® Produkt genau abgestimmt und unterliegen strengen Qualitätskontrollen.
- Sie sind für die ordnungsgemäße Durchführung des Austausches bzw. der Reparatur selbst verantwortlich. WEH ist hierfür sowie für etwaige Beschädigungen oder Schäden nicht verantwortlich. WEH übernimmt keinerlei Garantie, Gewährleistung, Haftung, oder sonstige Verantwortung für einen von Ihnen oder Dritten durchgeführten Austausch bzw. Reparatur oder durchgeführte technische Änderungen des WEH® Produkts. Falls Sie oder Dritte nicht über die erforderliche Eignung und Qualifikation für die ordnungsgemäße Durchführung verfügen, nehmen Sie von einem Austausch bzw. einer Reparatur unbedingt Abstand. Andernfalls besteht insbesondere das Risiko, dass Sie sich und Dritte gefährden.

1.4 Allgemeine Sicherheitshinweise

- ▶ Halten Sie stets alle anwendbaren lokalen, nationalen und internationalen Anforderungen, Bestimmungen, Erlasse, Gesetze, Normen, Regelungen, Richtlinien, Standards, Verordnungen, Verbote und Vorschriften sowie alle anwendbaren Industrie-, Qualitäts- und Technik-Normen ein. Stellen Sie hierbei insbesondere sicher, dass Sie und sämtliche Nutzer die anwendbaren Anforderungen aus dem Arbeitsschutz, der Arbeitssicherheit und der Produktsicherheit einhalten sowie dass alle erforderlichen Genehmigungen, Zertifikate und Zulassungen vorliegen.
- ▶ Stellen Sie diese Betriebsanleitung insbesondere jedem zur Verfügung, der für die Installation, Bedienung und Wartung dieses WEH® Produktes zuständig ist.
Vorsicht: Die fehlerhafte Anwendung stellt eine Gefahr für die Gesundheit der Anwender dar und kann zu Sachbeschädigung führen. Folgen der fehlerhaften Anwendung können sein:
 - der Adapter oder Teile des Adapters lösen sich unter Druck
 - Medien, die unter Druck stehen, heiß oder giftig sein können, treten aus
 - Anschlusschläuche vibrieren gefährlich
- Das WEH® Produkt und diese Betriebsanleitung sind für die Verwendung durch Fachpersonal (siehe *Kapitel 1.5*) vorgesehen. Stellen Sie diese Betriebsanleitung insbesondere dem Fachpersonal zur Verfügung, das für die einzelnen Phasen des Lebenszyklus (speziell für das Lagern, Installieren, Bedienen, Inspizieren und Warten, die Fehlerbehebung und Entsorgung) des WEH® Produktes zuständig ist. Das Fachpersonal muss diese Betriebsanleitung gelesen und verstanden haben.
- ▶ Wenden Sie sich an WEH bevor Sie das WEH® Produkt einsetzen, sollten Anweisungen in dieser Betriebsanleitung unklar sein.
- ▶ Ergreifen Sie entsprechende Sicherheitsmaßnahmen, falls Bedingungen vorliegen, die den Anwender in Gefahr bringen können.
- ▶ Setzen Sie das WEH® Produkt bei Beschädigungen, welche die einwandfreie Funktion des WEH® Produktes betreffen können, bis zur Klärung des Falles nicht ein. Eine Demontage des WEH® Produktes darf nur durch WEH erfolgen.
- ▶ Beachten Sie die in der Betriebsanleitung angegebenen Montagedaten. Höhere Drehmomente/Montagedrehungen können zu Beschädigungen bzw. zu Brüchen bei Druckbeaufschlagung führen.
- ▶ Verwenden Sie keine anderen Hilfs- bzw. Reinigungsmittel als in dieser Betriebsanleitung vorgegeben. Die Verwendung von anderen Hilfs- bzw. Reinigungsmitteln kann zu Schäden am WEH® Produkt bzw. an nachgelagerten Komponenten führen.
- Für Schäden, die durch äußere Kräfte oder andere äußere Einwirkungen entstehen, ist WEH nicht verantwortlich.

- Sachgemäßer Transport und fachgerechte Lagerung des WEH® Produktes werden vorausgesetzt.
- ▶ Bringen Sie auf das WEH® Produkt keine äußeren Kräfte auf. Stützen Sie sich daher weder auf dem (angeschlossenen) WEH® Produkt ab, lehnen Sie sich nicht daran an, hängen Sie sich nicht an das WEH® Produkt und steigen Sie keinesfalls auf das WEH® Produkt. Unterlassen Sie zudem auf das WEH® Produkt zu hämmern oder Ähnliches. Derartige Kräfteinwirkungen können zu Sach- und Personenschäden führen. Stellen Sie zudem sicher, dass das WEH® Produkt vor Betreten oder Überfahren jeglicher Art geschützt ist.
- Das WEH® Produkt kann durch die möglichen hindurch strömenden Fluide, je nach Anwendung und Betriebssituation, sehr heiß oder sehr kalt werden. Beachten Sie diesbezüglich die nationalen und internationalen Regelungen zum Arbeitsschutz, um Verletzungen vorzubeugen.

1.5 Definition von Fachpersonal

- Fachpersonal im Sinne dieser Anleitung sind Personen, die auf Grund ihrer fachlichen Ausbildung, ihrer Kenntnisse (inklusive der einschlägigen Normen und Vorschriften), ihrer Erfahrung und ihrer handwerklichen Fähigkeiten die ihnen im Zusammenhang mit WEH® Produkten übertragenen Aufgaben und Arbeiten eigenständig beurteilen und ordnungsgemäß ausführen können und hierbei auch eigenständig in der Lage sind, etwaige Gefahren frühzeitig zu erkennen und zu vermeiden.

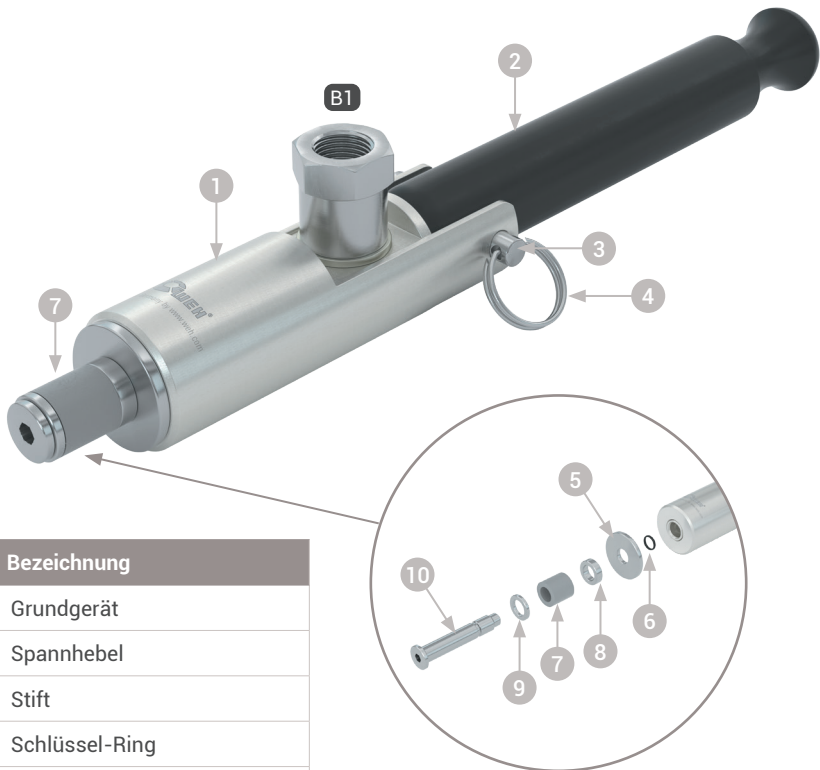
2. BESTIMMUNGSGEMÄSSE VERWENDUNG

- Der WEH® Adapter TW221 wurde zur Druck- und Vakuumprüfung in Glattrohren und in Bohrungen entwickelt. Es gibt den Adapter in vielen verschiedenen Größen und Formen.
- ▶ Setzen Sie das WEH® Produkt nur dann ein, wenn Sie die nachfolgenden Spezifikationen erfüllen:
 - Die geforderte Rundheit des Rohrinneendurchmessers beträgt max. 0,25 mm. Kontaktieren Sie WEH, wenn die Anwendung außerhalb der angegebenen Werte liegt oder Sie Fragen bezüglich der Oberflächenbeschaffenheit haben.
 - Der Prüfling und die Dichtungen müssen während der Prüfung trocken sein. Sind Sie nicht trocken, so kann keine druckdichte Verbindung hergestellt werden und der Adapter hält im Prüfling nicht.
- ▶ Stellen Sie stets sicher, dass das WEH® Produkt ausschließlich innerhalb der bestimmungsgemäßen Verwendung zum Einsatz kommt. Beachten Sie hierfür insbesondere die technischen Daten des WEH® Produktes im *Kapitel 4* sowie die Kennzeichnung auf dem WEH® Produkt selbst.
- Falls Sie bei uns eine kundenspezifische Anpassung beauftragt haben, wurde der WEH® Adapter speziell an die von Ihnen in Ihrer Bestellung zu Grunde gelegten Anforderungen und Anwendungen angepasst. Die zugrunde gelegten Anforderungen und Anwendungen gelten nur als bestätigt, insofern diesen ausdrücklich und schriftlich durch WEH zugestimmt wurde. Der Adapter darf für andere Anwendungen und Anforderungen, als die von WEH schriftlich Bestätigten nicht verwendet werden.
- Dieses WEH® Produkt ist grundsätzlich als druckhaltendes Ausrüstungsteil gemäß Artikel 2 Nr. 5 der Druckgeräterichtlinie 2014/68/EU eingestuft und wird als rohrleitungsähnlich betrachtet. Dieses WEH® Produkt darf nicht eingesetzt werden als Ausrüstungsteil mit Sicherheitsfunktion. Ferner wird darauf hingewiesen, dass dieses WEH® Produkt gemäß den Anforderungen des Artikels 4 Absatz 3 der Druckgeräterichtlinie 2014/68/EU ausgelegt und in Verkehr gebracht wird. Die Bewertung bzgl. einer anderweitigen Einstufung kann jedoch auf Anfrage erfolgen.

Vorsicht: Jede über den Einsatzbereich hinausgehende Verwendung gilt als nicht bestimmungsgemäß und kann zu Personen- und/oder Sachschäden führen.

3. PRODUKTÜBERSICHT / PRODUKTBESCHREIBUNG

WEH® Adapter TW221 BG1 & BG2



Pos.	Bezeichnung
1	Grundgerät
2	Spannhebel
3	Stift
4	Schlüssel-Ring
5	Distanzscheibe*
6	O-Ring (Achse)
7	Frontdichtung**
8	Scheibe
9	Scheibe
10	Achse

* nur bei BG1

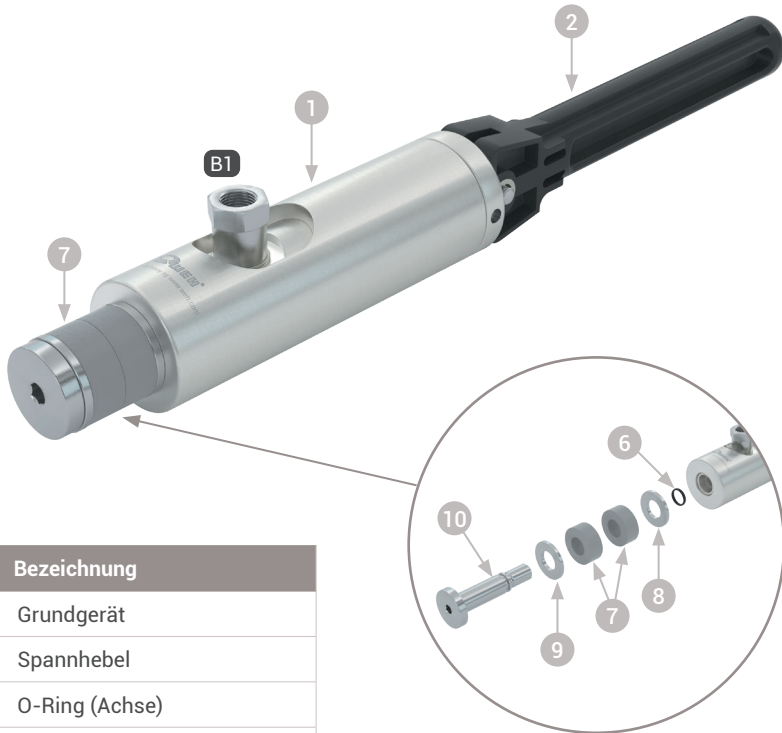
** ab BG2 mit 2 Frontdichtungen

Begriffserklärung Anschlüsse

B1

Betriebsmedienzuleitung

WEH® Adapter TW221 BG3



Pos.	Bezeichnung
1	Grundgerät
2	Spannhebel
6	O-Ring (Achse)
7	Frontdichtung
8	Scheibe
9	Scheibe
10	Achse

Begriffserklärung Anschlüsse	
B1	Betriebsmedienzuleitung

4. TECHNISCHE DATEN

Bitte beachten: Abhängig vom Anwendungsfall können die technischen Daten Ihres WEH® Produkts von dieser Betriebsanleitung abweichen. Beachten Sie daher stets die Kennzeichnung auf dem WEH® Produkt selbst.

Eigenschaften	Standardausführung
Nennweite (DN)	8,6 mm
Max. zulässiger Betriebsdruck PS	1 - 3 bar
Temperaturbereich	+5 °C bis +80 °C
Leckrate	1 x 10 ⁻³ mbar x l/s
Teilewerkstoffe	rostbeständiger Edelstahl, Aluminium eloxiert
Dichtungswerkstoffe	Frontdichtung in SBR
Betätigung	Manuelle Betätigung über Spannhebel

5. LAGERN

5.1 Sicherheitshinweise zum sachgerechten Lagern

- ▶ Stellen Sie sicher, dass die folgenden Sicherheitshinweise und Lagerzeiten stets eingehalten werden.
Achtung: Eine nicht sachgerechte Lagerung des WEH® Produktes kann die maximale Lebensdauer erheblich reduzieren.
- ▶ Schützen Sie das WEH® Produkt grundsätzlich vor Beschädigungen, Verschmutzungen, unsachgemäßer Lagerung und übermäßigen Temperaturschwankungen.
- ▶ Lagern Sie das WEH® Produkt, dessen Zubehör und Ersatzteile, bis zum Einsatz und während der Nichtbenutzung, in der Originalverpackung.
- ▶ Lagern Sie das WEH® Produkt in einem Temperaturbereich von -40 °C bis +40 °C. Lagertemperaturen außerhalb dieses Bereichs können die Lebensdauer des WEH® Produkts beeinträchtigen.
- ▶ Lagern Sie das WEH® Produkt nicht im Bereich von Wärmequellen. Vermeiden Sie Feuchtigkeit und Kondenswasser. Die für die Lagerung optimale relative Luftfeuchtigkeit liegt bei ca. 65 %.
- ▶ Lagern Sie das WEH® Produkt nicht im gleichen Raum wie Lösungsmittel, Chemikalien, Säuren, Kraftstoffe und Desinfektionsmittel.
- ▶ Schützen Sie das WEH® Produkt vor Licht, besonders vor direkter Sonneneinstrahlung, Sauerstoff, Ozon, Wärme, UV-Strahlen, Lösungsmittel und anderen negativen Umwelteinflüssen. Die Lebensdauer der Elastomere oder Kunststoffteile kann durch diese Einflüsse wesentlich verkürzt werden.
- ▶ Vermeiden Sie die Überlagerung von WEH® Produkten. Die Ein- und Auslagerung sollte nach dem First-in-First-out-Prinzip (FIFO) erfolgen.

5.2 Lagern

- ▶ Beachten Sie die Sicherheitshinweise unter *Kapitel 5.1* und halten Sie die nachfolgenden Lagerzeiten ein. Die zulässige Lagerzeit gilt ab dem Auslieferungsdatum (Rechnungs-/Warenausgangsdatum seitens WEH oder dem Vertriebspartner). Sollte das WEH® Produkt in einem Komplettsystem verbaut sein, so ist die Lagerzeit von der Komponente abhängig, welche die geringste Lagerzeit aufweist.

Bis 3 Jahre	<ul style="list-style-type: none"> ▶ Kontrollieren Sie vor Einsatzbringung die Oberfläche von außenliegenden Dichtungen auf Risse. Achtung: Elastomerdichtungen mit feinen Rissen an der Oberfläche müssen ersetzt werden. Hinweis: Falls Zweifel über den Alterungszustand des gelagerten WEH® Produktes entstehen, kontaktieren Sie WEH. Achtung: Vor Inbetriebnahme muss das WEH® Produkt auf Dichtheit geprüft werden. Siehe hierzu das <i>Kapitel 7. Installieren auf Seite 46.</i>
> 3 Jahre	<ul style="list-style-type: none"> - Vor Einsatzbringung müssen sämtliche Elastomerdichtungen ausgetauscht werden. ▶ Senden Sie hierzu das WEH® Produkt zur Wartung an WEH.

- ▶ Bewahren Sie den WEH® Adapter mit entspanntem Spannhebel auf. Der Spannhebel darf nicht betätigt sein. Die Lebensdauer der Dichtungen verkürzen sich, wenn die Dichtung für längere Zeit ohne Prüfling in gespannter Position bleiben.

6. BENÖTIGTE HILFSMITTEL

Artikelnummer	Bezeichnung	Installieren	Warten & Schmierem
--	Geeigneter Gabelschlüssel (passend für die entsprechenden Schlüsselweiten)	X	
--	Geeigneter kalibrierter Drehmomentschlüssel (passend für das entsprechende Drehmoment)	X	
--	Geeigneter Sechskantschraubendreher (passend für den entsprechenden Innensechskant)		X
W136538	WEH® O-Ring-Picker Set*		X
E99-44923	WEH® Wartungsspray		X
E99-21	WEH® Schraubensicherung		X

* Der WEH® O-Ring-Picker ist aus Kunststoff und ist als Verbrauchsmaterial anzusehen.

7. INSTALLIEREN

7.1 Sicherheitshinweise zum Installieren

- ▶ Überprüfen Sie die Angaben der Betriebsanleitung und die Kennzeichnung auf dem WEH® Produkt. Die Angaben müssen mit Ihrem Einsatzfall übereinstimmen.
- ▶ Schließen Sie nur einwandfreie Anschlüsse an das WEH® Produkt an.
- ▶ Überprüfen Sie das WEH® Produkt auf Transportschäden, Verunreinigungen und Beschädigungen. Stellen Sie etwas am WEH® Produkt fest, darf dieses nicht mehr verwendet werden. Tauschen Sie das WEH® Produkt aus oder schicken Sie es zur Wartung an WEH.
- ▶ Entfernen Sie die Transportsicherungen (wie z. B. Schutzkappen) vor der Installation des WEH® Produkts. Transportsicherungen dienen dem Zweck das Produkt und die Anschlüsse beim Transport und während der Lagerung zu schützen. Die Transportsicherungen sind nicht darauf ausgelegt z. B. Druck zu tragen oder als Stopfen verwendet zu werden.
- ▶ Stellen Sie sicher, dass innerhalb der Anlage kein Druck ansteht. Der Einbau muss drucklos erfolgen.
- ▶ Vermeiden Sie kurze Medienleitungen und enge Biegeradien. Querkräfte können zu Undichtigkeiten und Beschädigungen von Bauteilen führen und erschweren den Anschlussvorgang des WEH® Adapters.
- ▶ Verwenden Sie, um zusätzliche Arbeitssicherheit zu erreichen, bei gefährlichen Anwendungen bzw. Umständen Fangseile, Zwischenwände etc.
- ▶ Verwenden Sie USIT-Ringe zum Abdichten der Anschlüsse.
- ▶ Überprüfen Sie vor der Installation, ob die Gegenstücke für die Montagedaten (siehe *Kapitel 7.2 Medienleitung installieren*), welche WEH für das WEH® Produkt vorgibt, ausgelegt sind.
Hinweis: Die angegebenen Montagedaten (Drehmomente, Montagedrehungen etc.) sind Werte, die ausschließlich für die Komponenten gelten, die im Lieferumfang von WEH enthalten sind.

7.2 Medienleitung installieren

Bitte beachten: Nachfolgende Erwähnungen von Bezeichnungen und Positionsnummern beziehen sich auf das *Kapitel 3. Produktübersicht / Produktbeschreibung auf Seite 41.*

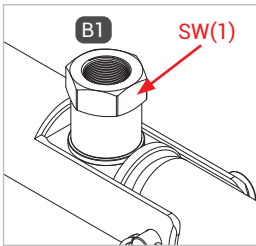


Abbildung 1

- ▶ Schrauben Sie die Schutzkappe von dem Anschluss ab.
- ▶ Halten Sie beim Montieren der Medienleitung an der Schlüsselfläche SW(1) (Abbildung 1) mit einem Gabelschlüssel gegen.
- ▶ Verschrauben Sie die Betriebsmedienzuleitung „B1“ druckdicht mit dem Anschluss der Medienleitung (Abbildung 1). Anzugsdrehmoment $10 \text{ Nm} \pm 10\%$ (G1/8" IG).

7.3 Dichtheit der Verbindung prüfen

- ▶ Schließen Sie den Adapter an einen geschlossenen Prüfling an.
- ▶ Beaufschlagen Sie den Adapter und die Medienleitung langsam mit dem Betriebsdruck.
Vorsicht: Der Prüfling muss verschlossen sein.
- ▶ Überprüfen Sie den Adapter, die Verbindung zur Medienleitung und die Verbindung zum Prüfling auf Dichtheit.
Achtung: Verwenden Sie kein ammoniakhaltiges Lecksuchspray, da dies zu Korrosion am Adapter führen kann.

8. BEDIENEN

8.1 Sicherheitshinweise zum Bedienen

Bitte beachten: Nachfolgende Erwähnungen von Bezeichnungen und Positionsnummern beziehen sich auf das *Kapitel 3. Produktübersicht / Produktbeschreibung auf Seite 41.*

- ▶ Beaufschlagen Sie den WEH® Adapter erst dann mit Druck, wenn er an einem Prüfling angeschlossen ist.
- ▶ Wenden Sie beim Betätigen keine Gewalt an.
- ▶ Beachten Sie **genau** die richtige Reihenfolge des An- und Abschließens des WEH® Adapters.
- ▶ Schließen Sie den WEH® Adapter nur im drucklosen Zustand an und ab.
- ▶ Schließen Sie den WEH® Adapter nur an einwandfreie Prüflinge an.
- ▶ Setzen Sie den WEH® Adapter gerade an, dadurch wird einer Beschädigung der Frontdichtung durch eventuell scharfe Kanten am Prüfling vorgebeugt.
- ▶ Betätigen Sie den WEH® Adapter nicht ohne Prüfling. Die Dichtungen können ohne angeschlossenen Prüfling beschädigt werden.
- ▶ Ziehen Sie nach dem Anschließen immer am WEH® Adapter, um sicherzustellen, dass er richtig angeschlossen ist und dass die Dichtungen greifen, bevor Sie das unter Druck stehende Medium zuführen.
- ▶ Der WEH® Adapter ist so konzipiert, dass er sich direkt beim Anschließen an den Prüfling anzieht und abdichtet. Halten Sie Ihre Finger oder andere Gegenstände von den Dichtungen fern, wenn Sie den Adapter betätigen.
Vorsicht: Mögliche Folgen bei Nichtbeachtung können sein:
 - Quetschgefahr der Finger beim Anschließen
 - Gefährdung der Gesundheit von Personen und Sachbeschädigung durch Teile, die sich unter hohem Druck lösen
 - Gefährdung der Gesundheit von Personen durch Medien, die mit hohem Druck freigesetzt werden
 - Gefährdung der Gesundheit von Personen durch Schläuche, die nicht gesichert sind
- ▶ Der WEH® Adapter besitzt kein integriertes Absperrventil und verhindert daher nicht, dass beim Abschließen Prüfmedium austritt. Schließen Sie deshalb den Adapter nur bei absolut sicheren Verhältnissen ab.
- ▶ Beachten Sie die Betätigungsrichtung des Spannhebels (Pos. 2) bei der Baugröße 1 und 2. Standardmäßig wird der Spannhebel nach unten betätigt, die Betriebsmedienzuleitung „B1“ zeigt nach oben. Je nach Anwendung kann der Spannhebel für Betätigung nach oben umgebaut werden. Beachten Sie dafür das *Kapitel 9.4.2 Umbau des Spannhebels (Pos. 2) auf Seite 58.*

- ▶ Stellen Sie sicher, dass der Prüfling und die Dichtungen während der Prüfung trocken sind. Sind sie nicht trocken, so kann keine druckdichte Verbindung hergestellt werden und der Adapter hält im Prüfling nicht.

8.2 Anschließen

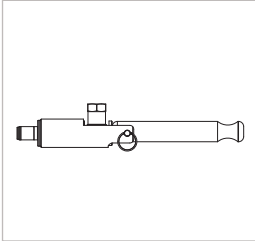


Abbildung 2

- ▶ Bringen Sie den Spannhebel (Pos. 2) in die gerade Ausgangsposition (*Abbildung 2*).

- ▶ Greifen Sie den Adapter am Grundgerät (Pos. 1) und stecken Sie ihn gerade und bis zum Anschlag in den Prüfling ein (*Abbildung 3*). Dadurch wird einer Beschädigung der Frontdichtung durch eventuell scharfe Kanten am Prüfling vorgebeugt und das richtige Anschließen gewährleistet.

Achtung: Stecken Sie den Adapter vorsichtig und nicht mit Gewalt in den Prüfling ein.

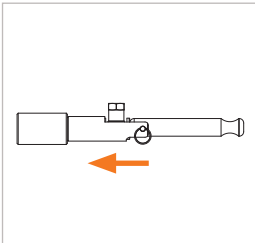


Abbildung 3

- ▶ Betätigen Sie den Spannhebel (Pos. 2) um 90° nach unten (*Abbildung 4*). Der Adapter zieht sich selbstständig an den Prüfling an und stellt eine druckdichte Verbindung her.

Achtung: Vergewissern Sie sich, dass die Dichtungen am Prüfling korrekt greifen, der Adapter richtig sitzt (er darf nicht wackeln) und dass die druckdichte Verbindung hergestellt ist. Nur dann ist der Adapter richtig angeschlossen. Der Adapter kann sonst abspringen und Medium kann austreten.

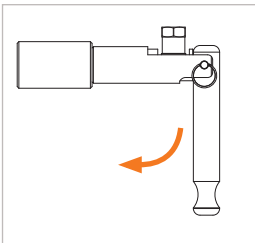


Abbildung 4

- ▶ Ziehen Sie leicht am Adapter (Roter Pfeil *Abbildung 5*) entgegen der Anschlussrichtung um sicherzustellen, dass der Adapter richtig angeschlossen ist.

- Der Adapter ist nun druckdicht mit dem Prüfling verbunden.

- ▶ Beaufschlagen Sie, um den Prüfvorgang zu beginnen, die Betriebsmedienzuleitung „B1“ mit Druck.

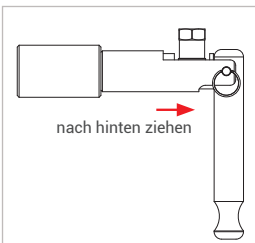


Abbildung 5

8.3 Abschließen

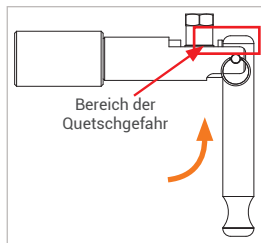


Abbildung 6

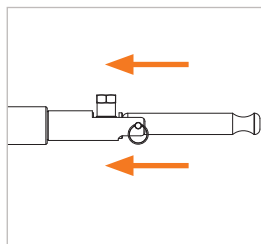


Abbildung 7

- ▶ Nach Beendigung des Prüfvorganges entlüften Sie die Medienleitung vollständig.
Vorsicht: Stellen Sie zuerst den druckfreien Zustand her, bevor Sie die Verbindung lösen. Durch das integrierte Sicherheitssystem lassen sich die druckunterstützten Dichtungen nicht unter Druck öffnen.
- ▶ Greifen Sie den Adapter am Grundgerät (Pos. 1).
Vorsicht: Halten Sie Ihre Finger vom Kolben fern (Abbildung 6). Sie können sich die Finger beim Betätigen des Spannshebels (Pos. 2) quetschen oder einklemmen.
- ▶ Betätigen Sie den Spannschraubmechanismus (Pos. 2) um 90° zurück in seine Ausgangslage (Abbildung 6).
- ▶ Bewegen Sie den Adapter leicht in Richtung des Prüflings (Abbildung 7). Dadurch wird die Verbindung zum Prüfling gelöst und der Adapter kann gerade nach hinten abgenommen werden.
Achtung: Falls sich der Adapter nicht vom Prüfling abnehmen lässt:
 - Warten Sie kurze Zeit
 - Wenden Sie niemals Kraft auf
 - Verwenden Sie keine Hilfsmittel (z. B. Hammer)
 - Vergewissern Sie sich, dass der Druck vollständig abgebaut ist

9. INSPIZIEREN | WARTEN

Bitte beachten: Nachfolgende Erwähnungen von Bezeichnungen und Positionsnummern beziehen sich auf das *Kapitel 3. Produktübersicht / Produktbeschreibung auf Seite 41.*

Achtung: Werden Beschädigungen am WEH® Produkt oder Einschränkungen in der Funktion erkannt, sind Maßnahmen gemäß *Kapitel 11. Fehlerbeheben auf Seite 61* zu treffen. Beschädigte oder undichte WEH® Produkte müssen zur Wartung an WEH geschickt werden.

9.1 Sicherheitshinweise zum Inspizieren und Warten

- Das WEH® Produkt muss für Wartungsarbeiten drucklos sein und abgebaut werden.
- ▶ Überprüfen Sie das WEH® Produkt nach den Wartungsarbeiten auf Leckage. Beachten Sie hierzu das *Kapitel 7. Installieren auf Seite 46.*
- Zum Zweck der Inspektion ist es nicht notwendig, dass das WEH® Produkt abgebaut wird, es muss allerdings drucklos sein.
- ▶ Verwenden Sie nur Original WEH® Ersatzteile. Diese sind auf den Anwendungsfall genau abgestimmt und unterliegen strengen Qualitätskontrollen.
- ▶ Beschädigen Sie keinesfalls Dichtflächen oder Dichtungskomponenten.
- ▶ Kontrollieren Sie vor jeder Wiedermontage die Bauteile, Gewinde und falls vorhanden die Dichtflächen auf Beschädigung und Verunreinigungen. Stellen Sie Beschädigungen fest, tauschen Sie das WEH® Produkt aus oder schicken Sie es zur Wartung an WEH ein. Das WEH® Produkt darf nicht mehr verwendet werden.
- ▶ Montieren Sie die WEH® Ersatzteile absolut öl-, fett- und staubfrei.
- ▶ Reinigen Sie vor der Wiedermontage das WEH® Produkt und die entsprechenden Bauteile durch Abblasen mit ölfreier Druckluft und entfernen Sie anhaftenden Schmutz mit einem feuchten, weichen und fusselfreien Tuch. Verwenden Sie hierzu keine Lösemittel, sondern ausschließlich klares Wasser als Reinigungsmittel.
Achtung: Verwenden Sie zum Abblasen des Schmutzes nur ölfreie Druckluft.
Hinweis: Achten Sie darauf, dass kein Reinigungsmittel in den Gaskanal gelangt.
- ▶ Entfetten Sie vor der Verwendung des Klebstoffes oder der WEH® Schraubensicherung grundsätzlich die zu verklebende Gewindegänge / Flächen mit dem WEH® Entfettungsspray Art. Nr. E99-9.
- ▶ Beachten Sie bei der Verwendung des Klebstoffes oder der WEH® Schraubensicherung grundsätzlich die Richtlinien des Herstellers, wie z. B. die Aushärtezeit von 24 Stunden.

- ▶ Achten Sie darauf, dass keine Dichtflächen oder Dichtungskomponenten mit dem Klebstoff oder der WEH® Schraubensicherung in Kontakt kommen.
- ▶ Beachten Sie vorgegebene Anzugsdrehmomente und Verklebungen während der Wartung.

9.2 Wartungsintervalle

- ▶ Inspizieren Sie das WEH® Produkt in regelmäßigen Abständen in Abhängigkeit von den jeweiligen Betriebsbedingungen, jedoch mindestens alle 3 Monate. Nach spätestens 20.000 Zyklen oder 3 Jahren, je nachdem was zuerst eintritt, beginnend ab dem Auslieferungsdatum (Rechnungs-/Warenausgangsdatum seitens WEH oder des Vertriebspartners), muss das WEH® Produkt zur Wartung an WEH geschickt werden.

Diese Intervalle können jedoch auch deutlich kürzer ausfallen, was insbesondere abhängig von Ihrer individuellen Applikation/Anwendung ist. Schicken Sie daher das WEH® Produkt bei Auffälligkeiten – insbesondere im Rahmen der regelmäßigen Inspektion – umgehend zur Wartung an WEH. Sollten Sie das WEH® Produkt nicht regelmäßig inspizieren und zur Wartung an WEH schicken, kann es insbesondere zu Undichtigkeiten und damit unter Umständen auch zu Ausfällen und/oder Unfällen kommen.

9.3 Übersicht Mindestintervalle für Inspektion und Wartung

Nr.	Inspektion	Erstmalig (vor Inbetrieb- nahme)	Täglich	Wöchentlich
1	Frontdichtung auf Beschädigung und Sauberkeit prüfen	X	X	
2	Äußeren Zustand auf Beschädigung und Sauberkeit prüfen	X		X
3	Spannhebel auf Beschädigung und Leichtgängigkeit prüfen	X		X
4	Adapter und Medienleitung auf Leckage prüfen (siehe Kapitel 7. Installieren)	X		X
Nr.	Wartung	Nach 1.000 Zyklen	Monatlich	Nach 3 Jahren oder 20.000 Zyklen*
5	Frontdichtung austauschen (siehe Kapitel 9.4.1 Austausch der Frontdichtung (Pos. 7))	X		
6	Adapter schmieren (siehe Kapitel 10. Schmieren)		X	
7	Einsendung zur Werkswartung an WEH			X

* je nachdem was zuerst eintritt

Hinweis: Zuordnung der Komponenten siehe Kapitel 3. Produktübersicht / Produktbeschreibung auf Seite 41.

- ▶ Legen Sie, falls Ihre Applikation/Anwendung es erfordert, kürzere Intervalle als oben vorgegeben, fest. Eine signifikante Verkürzung der Mindestintervalle ist insbesondere dann geboten, wenn sich Auffälligkeiten bei den Inspektionen zeigen.

9.4 Warten

Bitte beachten: Nachfolgende Erwähnungen von Bezeichnungen und Positionsnummern beziehen sich auf das *Kapitel 3. Produktübersicht / Produktbeschreibung auf Seite 41.*

- ▶ Tauschen Sie das WEH® Produkt aus oder schicken Sie es zur Wartung an WEH ein, falls Sie Undichtigkeiten oder Fehlfunktionen feststellen. Das Produkt darf nicht mehr verwendet werden.

Die folgenden Wartungsarbeiten dürfen vom Betreiber durchgeführt werden:

- ▶ Überprüfen Sie das WEH® Produkt auf Dichtheit und richtige Funktion - Leichtgängigkeit, ausreichende Schmierung, Verschleiß, Verschmutzung und Beschädigungen.
- ▶ Kontrollieren Sie die Dichtungsoberfläche der Frontdichtung (Pos. 7). Sind Risse oder Beschädigungen auf der Frontdichtung sichtbar, tauschen Sie diese aus. Beachten Sie hierzu das *Kapitel 9.4.1 Austausch der Frontdichtung (Pos. 7) auf Seite 55.*
- ▶ Kontrollieren Sie den Spannhebel (Pos. 2) regelmäßig auf Leichtgängigkeit und ausreichend Schmierung. Sollte der WEH® Produkt schwergängig sein, schmieren Sie den Adapter. Beachten Sie hierzu das *Kapitel 10. Schmieren auf Seite 60.*

9.4.1 Austausch der Frontdichtung (Pos. 7)

- ▶ Bringen Sie den Spannhebel (Pos. 2) in die gerade Ausgangsposition. Die Frontdichtung (Pos. 7) muss entspannt sein.
- ▶ Spannen Sie den Adapter an der Medienleitung an der Schlüssel­fläche SW(1) in einen Schraubstock.



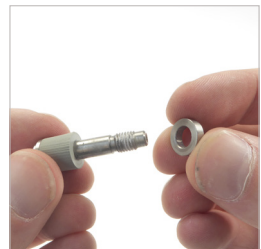
- ▶ Schrauben Sie die Achse (Pos. 10) mit einem passenden Sechskantschraubendreher aus dem Grundgerät (Pos. 1) heraus.



- ▶ Entnehmen Sie den O-Ring (Pos. 6) mit dem WEH® O-Ring-Picker aus dem Einstich der Achse (Pos. 10).



- ▶ Nehmen Sie, falls vorhanden, die Distanzscheibe (Pos. 5) und die Scheibe (Pos. 8) von der Achse ab.



- ▶ Nehmen Sie die Frontdichtung(en) (Pos. 7) und die Scheibe (Pos. 9) von der Achse ab.



- ▶ Entfernen sie die Kleberückstände von der Achse (Pos. 10).
Achtung: Der Einstich der Achse, in der der O-Ring (Pos. 6) liegt, darf nicht beschädigt werden.



- ▶ Blasen Sie die Achse mit Druckluft ab, bis keine Rückstände mehr auf der Achse sind.
- ▶ Reinigen Sie die Achse anschließend mit dem WEH® Entfettungsspray.



- ▶ Stecken Sie die Scheibe (Pos. 9) und die neue Frontdichtung(en) (Pos. 7) auf die gereinigte Achse auf.



- ▶ Geben Sie die Scheibe (Pos. 8) und falls vorhanden, die Distanzscheibe (Pos. 5) wieder auf die Achse (Pos. 10) auf.



- ▶ Rollen Sie den neuen O-Ring (Pos. 6) in den Einstich der Achse (Pos. 10). **Achtung:** Achten Sie darauf, dass der O-Ring nicht in sich verdreht im Einstich sitzt.



- ▶ Bringen Sie einen kleinen Tropfen der WEH® Schraubensicherung auf das gereinigte und entfettete Gewinde der Achse (Pos. 10) auf.



- ▶ Schrauben Sie die Achse (Pos. 10) wieder so weit in das Grundgerät (Pos. 1) ein, sodass der Außendurchmesser der Frontdichtung(en) (Pos. 7) ca. 0,5 mm kleiner als die Spannbohrung in Ihrem Prüfling ist.

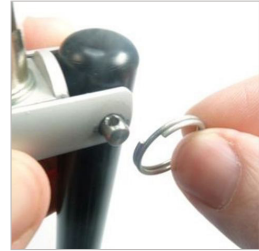


- ▶ Schließen Sie den WEH® Adapter mehrmals an einen Prüfling an. Stellen Sie durch eine Sichtprüfung fest, ob die Spann- und Dichtfunktion korrekt ist und die Dichtungen richtig aufgespannt sind. **Achtung:** Beaufschlagen Sie den Adapter bei der nächsten Druckprüfung nur langsam mit dem Prüfdruck.

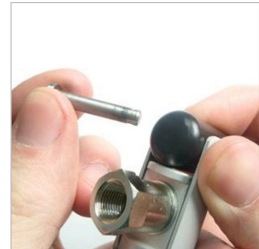
9.4.2 Umbau des Spannhebels (Pos. 2)

- ▶ Adaptieren Sie den WEH® Adapter an einen Prüfling. Beachten Sie hierzu das *Kapitel 8. Bedienen auf Seite 48.*

- ▶ Biegen Sie den Schlüssel-Ring (Pos. 4) leicht auseinander und drehen Sie ihn aus der Bohrung des Stiftes (Pos. 3) heraus.



- ▶ Drücken Sie den Stift (Pos. 3) aus dem Grundgerät (Pos. 1) und aus dem Spannhebel (Pos. 2) heraus.



- ▶ Nehmen Sie den Spannhebel (Pos. 2) aus dem Grundgerät (Pos. 1) heraus.
- ▶ Drehen Sie ihn um 180° nach oben.



- ▶ Fügen Sie den Spannhebel (Pos. 2) wieder in das Grundgerät (Pos. 1) ein.
- ▶ Die Bohrung des Grundgerätes und des Spannhebels müssen zueinander ausgerichtet sein.



- ▶ Stecken Sie den Stift (Pos. 3) wieder in die Bohrung des Grundgeräts (Pos. 1) und des Spannhebels (Pos. 2) ein.



- ▶ Biegen Sie den Schlüssel-Ring (Pos. 4) leicht auseinander und drehen Sie ihn wieder in die Bohrung des Stiftes (Pos. 3) ein.



- ▶ Schließen Sie den WEH® Adapter wieder vom Prüfling ab. Beachten Sie hierzu das *Kapitel 8. Bedienen auf Seite 48*.
- ▶ Schließen Sie nun den WEH® Adapter mehrmals an einen Prüfling an. Stellen Sie durch eine Sichtprüfung fest, ob die Spann- und Dichtfunktion korrekt ist und die Dichtungen richtig aufgespannt sind.
Achtung: Beaufschlagen Sie den Adapter bei der nächsten Druckprüfung nur langsam mit dem Prüfdruck.

10. SCHMIEREN

Bitte beachten: Nachfolgende Erwähnungen von Bezeichnungen und Positionsnummern beziehen sich auf das *Kapitel 3. Produktübersicht / Produktbeschreibung auf Seite 41.*

10.1 Sicherheitshinweise zum Schmieren

- ▶ Achten Sie darauf, dass Sie keine Dichtflächen oder Dichtungskomponenten während des Schmierens beschädigen.
- ▶ Verwenden Sie zur Schmierung ausschließlich das WEH® Wartungsspray Art. Nr. E99-44923.
- ▶ Adaptieren Sie den WEH® Adapter an einen Prüfling bevor Sie den Adapter schmieren. Beachten Sie hierzu das *Kapitel 8. Bedienen auf Seite 48.*

10.2 Schmieren



Abbildung 8

- ▶ Geben Sie einen kurzen Sprühstoß mit dem Zielröhrchen zwischen das Gehäuse und den Kolben auf der Adapteroberseite (*Abbildung 8*).
- ▶ Geben Sie einen kurzen Sprühstoß mit dem Zielröhrchen zwischen das Gehäuse und den Kolben auf der Adapterunterseite (*Abbildung 9*).

Achtung: Der Schmierstoff darf nicht in den Gaskanal gelangen.



Abbildung 9

11. FEHLERBEHEBEN

Nr.	Fehler	Zu erkennen durch	Mögliche Ursache	Abhilfe
1	Gasaustritt beim Prüfen, bei steigendem Druck nachlassend	Ausblasgeräusche	Unsachgemäßes Anschließen	Prüfvorgang stoppen, Adapter nochmals anschließen
			Zuleitung zu starr	z. B. flexiblen Schlauch anbringen
1	Gasaustritt bei steigendem Druck verstärkt	Ausblasgeräusche	Unsachgemäßes Anschließen	Prüfvorgang stoppen, Adapter nochmals anschließen
			Frontdichtung schadhafte	Frontdichtung austauschen, siehe Kapitel 9.4.1
2	Spannhebel ist stark beschädigt oder gebrochen		Prüfling beschädigt	Entscheiden, ob Prüfung unterbrechen oder fortfahren
			Mechanische Überbeanspruchung durch unsachgemäßen Umgang	Adapter zur Wartung an WEH schicken
3	Leckage am Adapter Leckage an der Betriebsmedienzuleitung	Ausblasgeräusche	Defekte Dichtungskomponenten	Adapter zur Wartung an WEH senden.
			Verschraubungen sind undicht	Festziehen der Verschraubungen, siehe Kapitel 7. Installieren
4	Dichtungen werden nicht ausreichend gespreizt	Adapter sitzt zu locker, wackelt im Prüfling	Verschleiß	Überprüfen Sie zuerst den Prüfling. Ist dieser defekt, ersetzen Sie den Prüfling. Ist es in Ordnung, senden Sie den Adapter zur Wartung an WEH
			Adapter ist nicht richtig angeschlossen	Anschlussvorgang wiederholen

Nr.	Fehler	Zu erkennen durch	Mögliche Ursache	Abhilfe
5	Adapter wackelt trotz richtigem Anschließen im Prüfling	Anschlussgeometrie am Prüfling ist nicht in Ordnung	Abnutzung an der Anschlussgeometrie des Prüflings Abnutzung an den Frontdichtungen des Adapters	Prüfling austauschen Frontdichtung austauschen, siehe Kapitel 9.4.1
6	Frontdichtungen deformiert	Adapter lässt sich nicht in den Prüfling einführen	Mechanische Überbeanspruchung durch unsachgemäßen Umgang Adapter ist nicht richtig angeschlossen	Frontdichtung austauschen, siehe Kapitel 9.4.1 Anschlussvorgang wiederholen
7	Spannhebel lässt sich nicht mehr betätigen		Beschädigte Komponenten Unzureichende Schmierung	Adapter zur Wartung an WEH schliessen Adapter schmieren, siehe Kapitel 10.
8	Adapter lässt sich nach Dichtungswechsel nicht mehr in die Bohrung adaptieren		Die Achse wurde nach dem Wechsel der Dichtungen zu weit eingeschraubt; die Dichtungen sind ohne Betätigung schon vorgespannt	Festziehen der Achse, siehe Kapitel 9.4.1 Austausch der Frontdichtung (Pos. 7) auf Seite 55

Bei sonstigen Problemen kontaktieren Sie bitte WEH oder Ihren zuständigen Vertriebspartner.

12. ENTSORGEN

- ▶ Entsorgen Sie das WEH® Produkt fachgerecht, wenn Sie es nicht mehr benötigen. Beachten Sie die zum Zeitpunkt der Entsorgung gültigen nationalen und örtlichen Bestimmungen zur Entsorgung.

13. ZUBEHÖR | ERSATZTEILE

Verschlusschraube für Stopfenversion

Sollte der WEH® Adapter als Stopfen eingesetzt werden, wird der Anschluss „B1“ mit einer Verschlusschraube aus Messing verschlossen. Die Medienverträglichkeit der Dichtung ist vom Betreiber zu prüfen.

Bestellnummer	Beschreibung	Anschluss (Außengewinde)	Druckbereich
E69-9200	Verschlusschraube Niederdruck	G1/8"	0 - 50 bar

Ersatzteile

Für die Wartung des WEH® Produktes stehen folgende Artikel zur Verfügung:

Bestellnummer	Position	Beschreibung
auf Anfrage	Pos. 7	Ersatzdichtungsset, bestehend aus: 5 Frontdichtungen und 5 O-Ringe bei der Baugröße 1 bzw. 10 Frontdichtungen und 5 O-Ringe bei der Baugröße 2 und 3

Geben Sie bei der Bestellung die auf Ihrem WEH® Produkt gekennzeichnete Artikelnummer an.

Bitte beachten: Beachten Sie zur richtigen Verwendung von WEH® Ersatzteilen das *Kapitel 9. Inspizieren | Warten auf Seite 51.*

AE

Contact

More questions? Great!
Don't hesitate to contact our experts.

Manufacturer:

WEH GmbH Verbindungstechnik

Josef-Henle-Str. 1
89257 Illertissen / Germany

Phone: +49 7303 95190-0

Email: sales@weh.com

www.weh.com

© All rights reserved, WEH GmbH Verbindungstechnik.

Any unauthorized copying, distribution or other use of the copyrighted content is strictly forbidden without the written consent of WEH GmbH Verbindungstechnik. Upon transmission of a newer version of this document, all previous versions are no longer valid. In principle, the latest version of the document is valid. This can be found at www.weh.com.

Our General Terms and Conditions and the Agreement on Protection of Know-How and Quality Assurance (www.weh.com) shall apply to deliveries and other services, unless expressly agreed otherwise. We do not accept any General Terms and Conditions of the purchaser.

WEH® is a registered trademark
of WEH GmbH Verbindungstechnik.

DE

Kontakt

Sie haben Fragen oder benötigen weitere
Informationen? Wir sind gerne für Sie da.

Hersteller:

WEH GmbH Verbindungstechnik

Josef-Henle-Str. 1
89257 Illertissen / Deutschland

Phone: +49 7303 95190-0

Email: sales@weh.com

www.weh.de

© Alle Rechte vorbehalten, WEH GmbH Verbindungstechnik.

Jedliches unbefugte Kopieren, Verbreiten und sonstige Nutzung der urheberrechtlich geschützten Inhalte ist ohne schriftliche Zustimmung der Firma WEH GmbH Verbindungstechnik untersagt. Mit Übermittlung einer aktuelleren Version des vorliegenden Dokuments verlieren alle älteren Versionen ihre Gültigkeit. Es gilt grundsätzlich die aktuellste Version des Dokuments. Diese finden Sie unter www.weh.com.

Für Lieferungen und sonstige Leistungen gelten grundsätzlich unsere Allgemeinen Geschäftsbedingungen und die Know-How Schutz- und Qualitätssicherungsvereinbarung (www.weh.com), sofern nicht ausdrücklich etwas anderes vereinbart wurde. Allgemeine Geschäftsbedingungen des Bestellers erkennen wir grundsätzlich nicht an.

WEH® ist eine eingetragene Marke
der WEH GmbH Verbindungstechnik.