

Type **TW221**

WEH[®] Quick connector for pressure and vacuum testing
of straight tubes and bores (internal tube \varnothing 9.5 mm - 24.4 mm)



General

DESCRIPTION



Features

- Connection in seconds
- No hand tightening required
- For connection into straight tubes and bores
- No seal adjustment required
- Wide range of tube tolerances
- High-grade materials

The WEH® TW221 Quick connector provides a pressure-tight connection to bores and straight tubes of copper, steel or aluminium within seconds. The connector is suitable for pressure and vacuum testing with oil free air or gaseous media. The manually operated connector is secured to the component by its connection seal. In this case it is important that during testing, the test piece and seals have to remain absolutely dry to ensure proper functioning and sealing.

The WEH® TW221 is equipped with a SBR front seal. It is the customer's responsibility to clarify the media compatibility.

Application

Quick connector for pressure and vacuum testing of straight tubes and bores (sealing the internal tube diameter), as for example pressure vessels, valves, transducers, compressors, condensers, tubing systems etc.

TECHNICAL DATA

Characteristics	Basic version
Nominal bore (DN)	2 to 4 mm, acc. to design
Max. allowable operating pressure PS	3 bar
Temperature range	+5 °C up to +80 °C
Leak rate	1 x 10 ⁻³ mbar x l/s
Material	Anodized aluminium
Sealing material	Front seal of SBR

Other designs on request

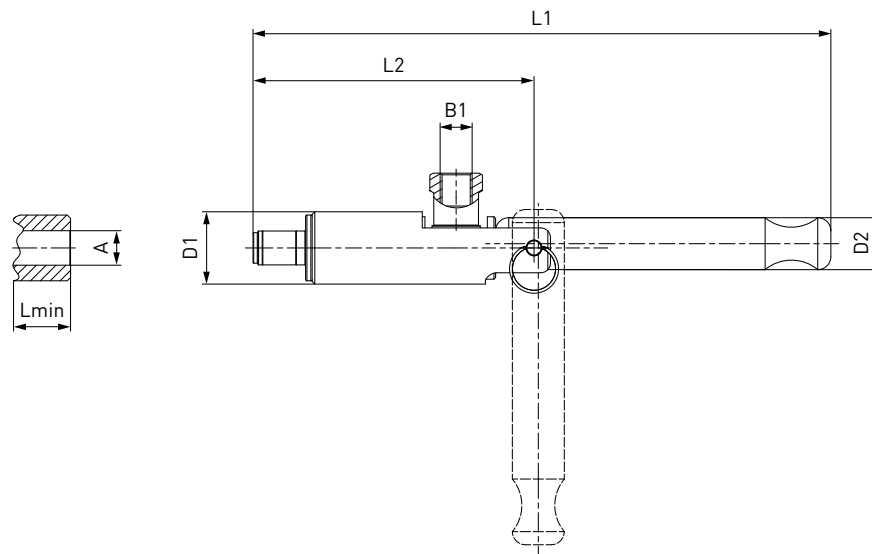
Example of use:



Ordering

ORDERING | WEH® TW221 Quick connector – body size 1 + 2

approx. dimensions (mm)



Part no.	Body size	Sealing range internal tube Ø A	B1 (female thread)	D1	D2	L1	L2	Lmin*	Replacement seal set** (consisting of 5 front seals + 5 o-rings)
C1-82309	1	9.5 - 10.4	G1/8"	22	16	176	86	16	B200B-89775
C1-82814	1	10.5 - 11.4	G1/8"	22	16	176	86	16	B200B-97248
C1-82305	1	11.5 - 12.4	G1/8"	22	16	176	86	16	B200B-90418
C1-82304	1	12.5 - 13.4	G1/8"	22	16	176	86	16	B200B-89774
C1-84246	2	13.5 - 14.4	G1/8"	22	16	186	96	29	B200B-91391
C1-84247	2	14.5 - 15.4	G1/8"	22	16	186	96	29	B200B-132009
C1-84248	2	15.5 - 16.4	G1/8"	22	16	186	96	29	B200B-90420
C1-84249	2	16.5 - 17.4	G1/8"	22	16	186	96	29	B200B-98586
C1-84251	2	17.5 - 18.4	G1/8"	22	16	186	96	29	B200B-95777
C1-82300	2	18.5 - 19.4	G1/8"	22	16	186	96	29	B200B-90416
C1-84252	2	19.5 - 20.4	G1/8"	22	16	186	96	29	B200B-90442
C1-82307	2	20.5 - 21.4	G1/8"	22	16	186	96	29	B200B-135789
C1-82308	2	21.5 - 22.4	G1/8"	22	16	186	96	29	B200B-95700
C1-84253	2	22.5 - 23.4	G1/8"	22	16	186	96	29	B200B-95894
C1-83865	2	23.5 - 24.4	G1/8"	22	16	186	96	29	B200B-84806

* Lmin: minimum insertion length of test piece

** Replacement seal sets for body size 2 with a sealing range > 13.5 mm always include 10 front seals

Note: required roundness of internal tube diameter max. 0.25 mm

Other connection sizes on request

Other connection types on request.

Required information for ordering see page 7, catalog no. 40.

Accessories

ACCESSORIES

The following accessories are available for the WEH® TW221 Quick connector:

Screw plug for plug version

If the WEH® Connector is used as a plug, the media inlet 'B1' can be sealed with a screw plug of brass with a PVC sealing ring for low pressure range. It is recommended that the media compatibility of the seal be tested by the customer!



Part no.	Description	Connection (male thread)	Pressure range
E69-9200	Screw plug (low pressure)	G1/8"	0 - 50 bar

Technical explanations

TECHNICAL EXPLANATIONS

Abbreviations/Definitions

For explanation of abbreviations, definitions of terms and further explanations, see the applicable Technical Appendix of the corresponding catalog or visit www.weh.com

Illustrations

The illustrations and/or images used in these data sheet are particularly provided for illustrative purposes only and may differ in some details from the actual product. For binding information, please refer to your individual orders.

Safe product selection

Our WEH® Products are designed to be operated by qualified professional users (insofar as WEH® Products are also designed to be operated by other users in individual cases, this is explicitly stated in the corresponding operating instructions). Please note that WEH does not know your system and therefore - also due to the large number of different potential applications of WEH® Products - cannot perform tests on all potential types of application. You alone are responsible for the selection, configuration and suitability of WEH® Products, especially according to the requirements of your system. Before purchasing WEH® Products, please particularly ensure that our products are compatible with your intended use, your performance data, your material and fluids, your system concept and your system limits according to our product specifications. Please also consider your technical and legal requirements for operation, handling and maintenance. The quality and safety of WEH® Products is our highest priority. For this reason, WEH® Products may not be used outside the specifications in the relevant data sheets and product descriptions. If you are not sure whether the WEH® Product is suitable for your system and intended use, please contact us in advance. We also strongly recommend that you refrain from using third-party spare parts or a combination of WEH® Products with unsuitable third-party products. You alone are responsible for reviewing the suitability of third-party products. WEH® Products and WEH® Spare parts comply with our quality and safety standards.

Service life

WEH® Products are generally products which may be subject to wear and fatigue during operation and depending on your individual application/use. For details - in particular regarding the corresponding minimum inspection and maintenance intervals - please refer to the respective operating instructions for the WEH® Product.

Explanation on the Pressure Equipment Directive

These WEH® Products are generally classified as pressure accessories in accordance with Article 2 (5) of the Pressure Equipment Directive 2014/68/EU and are considered to be similar to piping. These WEH® Products may not be used as safety accessories. Furthermore, it is pointed out, that these WEH® Products are designed and placed on the market in accordance with the requirements of Article 4 (3) of the Pressure Equipment Directive 2014/68/EU. The assessment with regard to a different classification can, however, be made on request.

External change management

WEH reserves the right to update, optimise and adjust its products continuously. This may result in corresponding changes of the product. Customers will be informed proactively or unsolicited by WEH only in individual cases about product updates, product optimisations and/or product adaptations that have been carried out. You are free to contact WEH at any time to request information about any product updates, product optimisations and/or product adjustments.

© All rights reserved, WEH GmbH Verbindungstechnik.

Any unauthorized copying, distribution or other use of the copyrighted content is strictly forbidden without the written consent of WEH GmbH Verbindungstechnik.

Upon transmission of a newer version of this document, all previous versions are no longer valid. In principle, the latest version of the document is valid. This can be found at www.weh.com.

Our General Terms and Conditions and the Agreement on Protection of Know-How and Quality Assurance (www.weh.com) shall apply to deliveries and other services, unless expressly agreed otherwise.

We do not accept any General Terms and Conditions of the purchaser.

» Contact

More questions? – Great! Don't hesitate to contact our experts.

Manufacturer:

WEH GmbH Precision Connectors

Josef-Henle-Str. 1
89257 Illertissen / Germany

Phone: +49 7303 9609-0

E-Mail: sales@weh.com

Website: www.weh.com